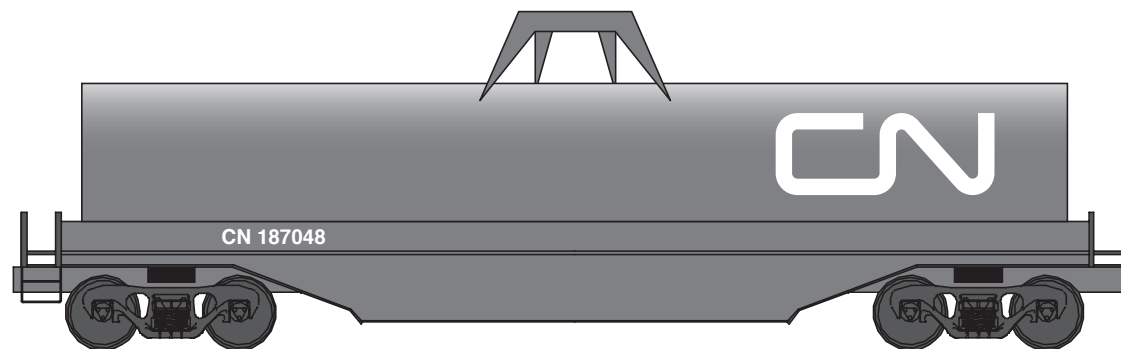


METALS AND MINERALS

Aluminum and Steel Products

CN's covered gondolas are easy to load, yet waterproof; they offer maximum protection against the elements. They are in assigned services for the transportation of coiled steel.



34' 5" TRUCK CENTERS

51' 11" COUPLERS

COVERED COIL GONDOLA

Car Description	Car Series	Load		Capacity		Outside Dimensions		
		Tons	Tonnes	Cu. Ft.	m ³	Length	Width	Height
Covered Coil Gondola These coil gondolas have a carrying capacity of 89 - 111 tons and have inside lengths ranging from 46 - 52 ft. Car floor is a longitudinal trough to handle steel coils.	CN 135132-138389	93-100	84-91	1,964-2,264	56-64	52' 6"	9' 6" - 9' 7"	3' 11" - 4' 6"
	CN 188102-188339	95-97	86-88	1,964-3,130	56-89	52' 6"	9' 6"	3' 11" - 6' 3"
	CN 190201-190224	99-100	90-91	1,966	56	48' 0"	7' 4"	7' 3"
	CN 190404-190830	95-103	86-94	1,964	56	52' 6"	9' 6"	3' 11"
	GTW 101101-101394	95-100	86-91	1,290	37	46' 8"-48' 6"	6' 0" - 6' 1"	5' 1" - 5' 4"
	GTW 307050-307149	99-111	90-101	1,964-2,264	56-64	48' 0"	7' 4"	3' 8"
	GTW 675000-675093	97-100	88-91	1,290	37	45' 8"	7' 2"	5' 4"
	IC 294900-294969	108	98	2,744	78	52' 6"	9' 6"	5' 6"
	IC/ICG 295001-295740	90-95	82-86	2,000	57	52' 6"	9' 6"	4' 0"
	IC 295500-295549	89-95	81-86	2,478	70	52' 2"	9' 6"	5' 0"
	IC 295850-295945	94-95	85-86	2,000-2,244	57-64	52' 6"	9' 6"	4' 0" - 4' 6"
	IC/ICG 299525-299630	95-110	86-100	2,011	57	47' 11"/48'	6' 1" - 7' 4"	5' 5" - 7' 0"