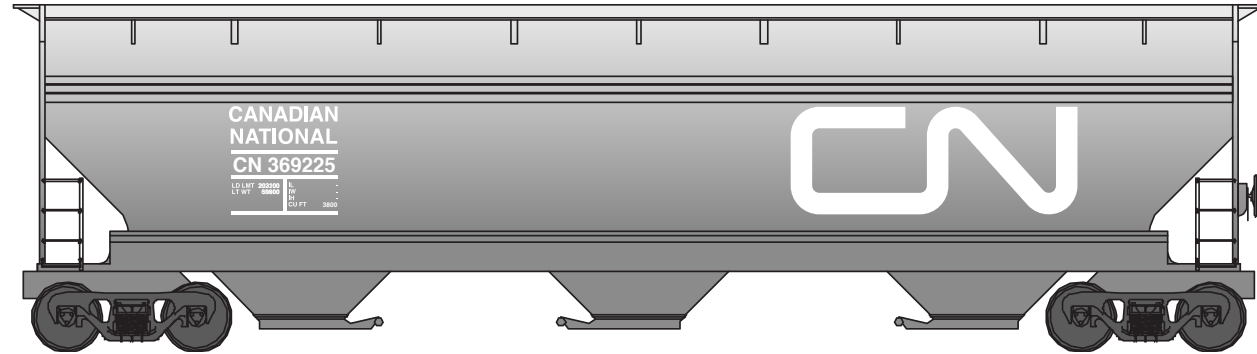


## FERTILIZER & POTASH

### Fertilizer / Potash

CN operates a wide range of low-cube covered hoppers to meet the needs of the industry. These cars combine the benefits of ease of loading and unloading with maximum protection from the elements, to meet the needs of the potash and fertilizer industries.



46' 0" TRUCK CENTERS  
 55' 0" END SILLS  
 56' 4-1/2" STRIKERS  
 59' 0" COUPLERS

### LOW-CUBE COVERED HOPPER

Car Description	Car Series	Load		Capacity		Outside Dimensions	
		Tons	Tonnes	Cu. Ft.	m <sup>3</sup>	Length	Width
<b>Low-Cube Covered Hopper</b> Designed to carry heavier-density product, these covered hoppers have a carrying capacity of 99-114 tons.	CNLX 5001-10933	100-114	91-103	3,800-3,850	108-109	53' 9" - 59'	10' 8"
	CN/CNIS 368000-369997	100-113	91-103	3,800	108	55' 1"	10' 8"
	CN 370005-372117	100-113	91-103	3,800-3,850	108-109	53' 9" - 55' 1"	10' 8"
	CNIS 376000-376299	101	92	4,550	129	59' 0"	10' 8"
	CN/CNIS 377000-379496	99-112	90-102	4,350	123	59' 0"	10' 8"
	CN 382001-382699	99-101	90-92	4,550	129	59' 0"	10' 8"
	GTW 138200-138449	101-102	92-93	4,750	135	60' 0"	10' 8"
	CN/CNA 383000-385999	99-102	90-93	4,650-4,750	132-135	60' 0"	10' 6" - 10' 8"
<b>High-Cube Covered Hopper</b> Designed to carry lighter-density product, these covered hoppers have a carrying capacity of 99-102 tons.	CC 475036-488706	100-102	91-93	4,750	135	60' 0"	10' 8"
	IC 755000-755499	99-100	90-91	4,700	132-135	54' 11"	10' 8"
	CC/IC/ICG 764305-769736	98-102	89-93	4,650-4,750	134-135	59' 0" - 60' 0"	10' 7" - 10' 8"
	CC 800016-800880	101-102	92-93	4,750	135	60' 0"	10' 6" - 10' 8"